



# Coralis<sup>®</sup>

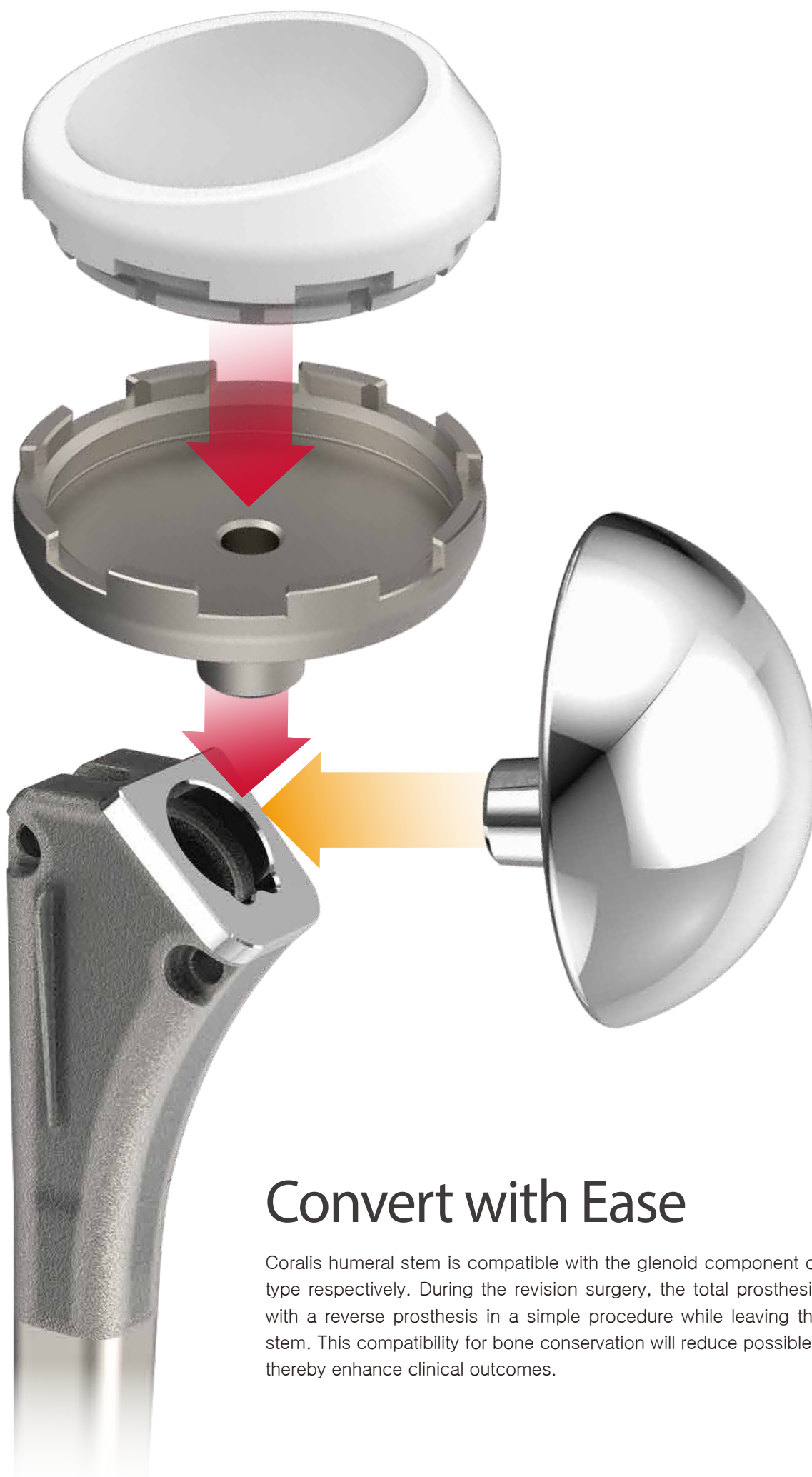
Shoulder System

---

# Coralis<sup>®</sup>

Total and Reverse shoulder in one system





## Convert with Ease

Coralis humeral stem is compatible with the glenoid component of total and reverse type respectively. During the revision surgery, the total prosthesis can be replaced with a reverse prosthesis in a simple procedure while leaving the existing humeral stem. This compatibility for bone conservation will reduce possible complications and thereby enhance clinical outcomes.

# Restore with Ease

Coralis shoulder system offers a variety of offset options to match patient's native anatomo-

## Total Shoulder System

### Humeral Head

Centric	Eccentric	Height Option
	 · 4mm	 <ul style="list-style-type: none"><li>· 15mm</li><li>· 18mm</li><li>· 21mm</li></ul>

## Reverse Shoulder System

### Glenosphere

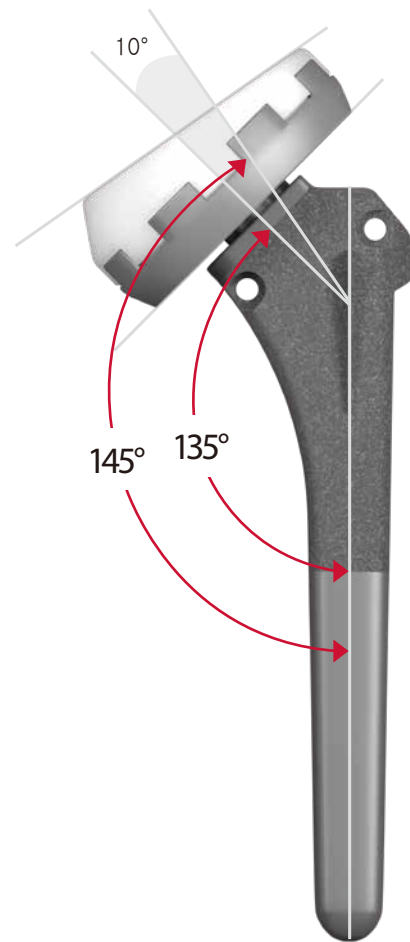
Centric	Eccentric	Lateral Offset
	 · 4mm	 · 4mm

### Humeral Tray

Centric	Medial Offset
	 · 3mm

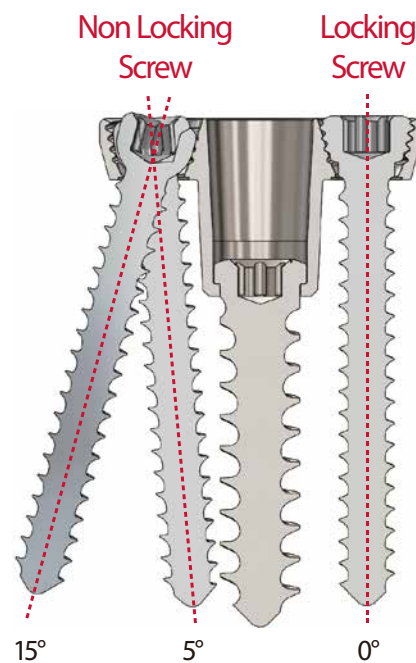
## Articulate with Ease

Humeral stem neck shaft angle is 135° (145° with humeral liner). This feature can minimize scapular notching during the adduction motion.



## Suitably Fix with Ease

The peripheral screw has locking and non-locking options. The non-locking screw has variable angles of 15° divergence to 5° convergence.





# Total Shoulder System

Humeral Stem	Glenoid Component		Humeral Head			
	Pegged	Keeled	38	42	46	50
6 ~ 14mm	44		●	●		
	48		●	●	●	
	52			●	●	●
	56				●	●
	60					●

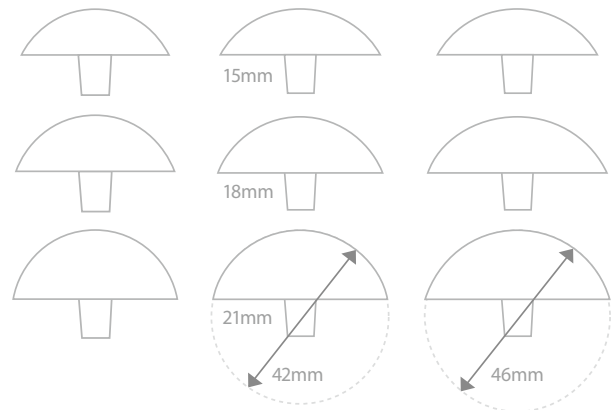
\*Optional Size : 15mm~18mm

\*Optional Size : 64

\*Optional Size : 54, 58

## Humeral Head Size Option

Offset 0 · Offset 4				
Size	38	42	46	50
Height				
15	●	●	●	●
18	●	●	●	●
21	●	●	●	●



## Materials

- Humeral Head : Cobalt Chrome Alloy
- Glenoid Component : UHMWPE
- Humeral Stem : Ti6Al4V · Grit Blasting





# Reverse Shoulder System

## Glenoid Baseplate · Central Screw · Peripheral Screw



Diameter  
ø26mm, ø28mm



Length  
26mm, 30mm, 34mm,  
38mm, 42mm



Length  
14mm, 18mm, 22mm, 26mm,  
30mm, 34mm, 38mm, 42mm

## Glenosphere

Head diameter  
ø36mm, ø42mm

Lateralized  
offset



0



+4

Eccentric  
offset



0



+4

## Humeral Liner

Inner diameter  
ø36mm, ø42mm

Height



0



+3



+6



+9

## Humeral Tray · Humeral Spacer Assembly

Humeral tray size  
ø40mm



Centric type  
Medial offset type (3mm)

Spacer height  
+8mm



Humeral spacer  
assembly

## Humeral Stem

Size  
6mm ~ 14mm (1mm increment)  
\*Optional Size : 15mm ~ 18mm



## Materials

- Glenoid Baseplate : Ti6Al4V · TPS Coating
- Glenosphere : Cobalt Chrome Alloy
- Humeral Liner : XLPE
- Humeral Tray : Ti6Al4V
- Humeral Stem : Ti6Al4V · Grit Blasting
- Screws : Ti6Al4V



**Coralis<sup>®</sup>**  
Shoulder System

Notes

A large, empty rectangular box with rounded corners, intended for taking notes.

[www.corentec.com](http://www.corentec.com)



# Coralis<sup>®</sup>

Shoulder System



Manufacturing Plant	12, Yeongsanhong 1-gil, Ipjang-myeon, Seobuk-gu, Cheonan-si, Chungcheongnam-do, Korea
Seoul Office	33-2, Banpo-daero 20-gil, Seocho-gu, Seoul, Republic of Korea
Corentec America, Inc.	210 Sylvan Ave Suite #1B, Englewood Cliffs, New Jersey 07632
EC Representative : Emergo Europe	Westervoortsedijk 60, 6827 AT Arnhem, The Netherlands